



TRADE NAME : Volvo Model 5BN (279958) 1965
SUPPLIER : For Current Address, See Annual Index
TYPE SET : 6-Transistor AM Receiver
POWER SUPPLY : 12 Volt Storage Battery
RATING : .8 Amp. @ 12.6 Volts DC

VOLVO MODEL 5BN

ALIGNMENT INSTRUCTIONS

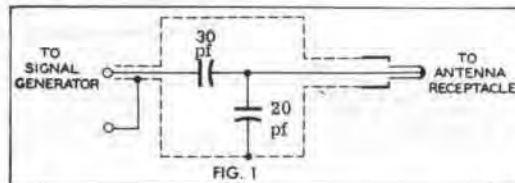
Check for specified source voltage.
 Use only enough generator output to provide a usable indication.
 Suggested Alignment Tools:

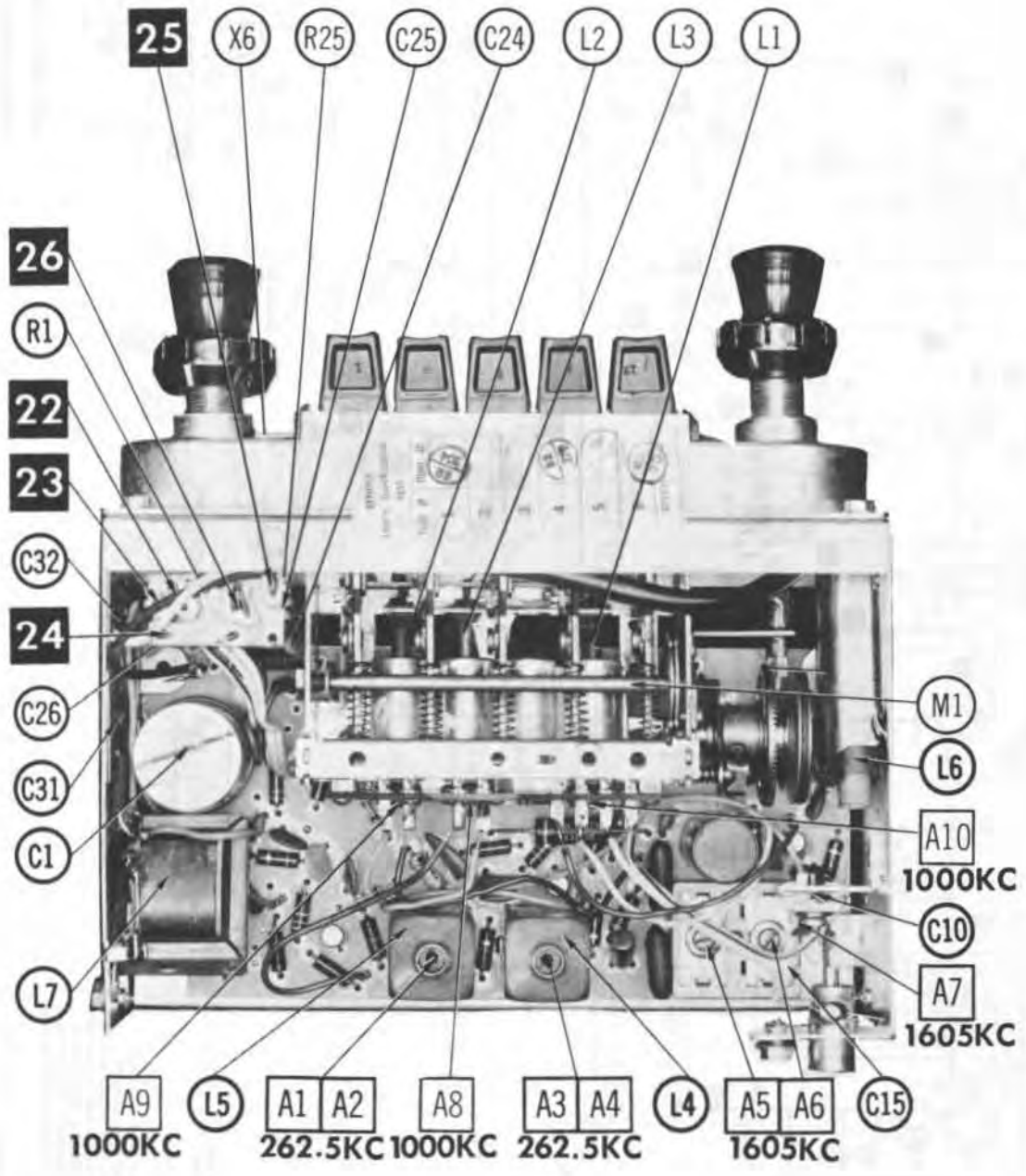
A1 thru A4:	GENERAL CEMENT:	8606, 8606L, 8869	WALSCO:	2543, 2544, 2588
A5, A6, A7:	GENERAL CEMENT:	8290, 8868, 9087	WALSCO:	2525, 2528, 2587

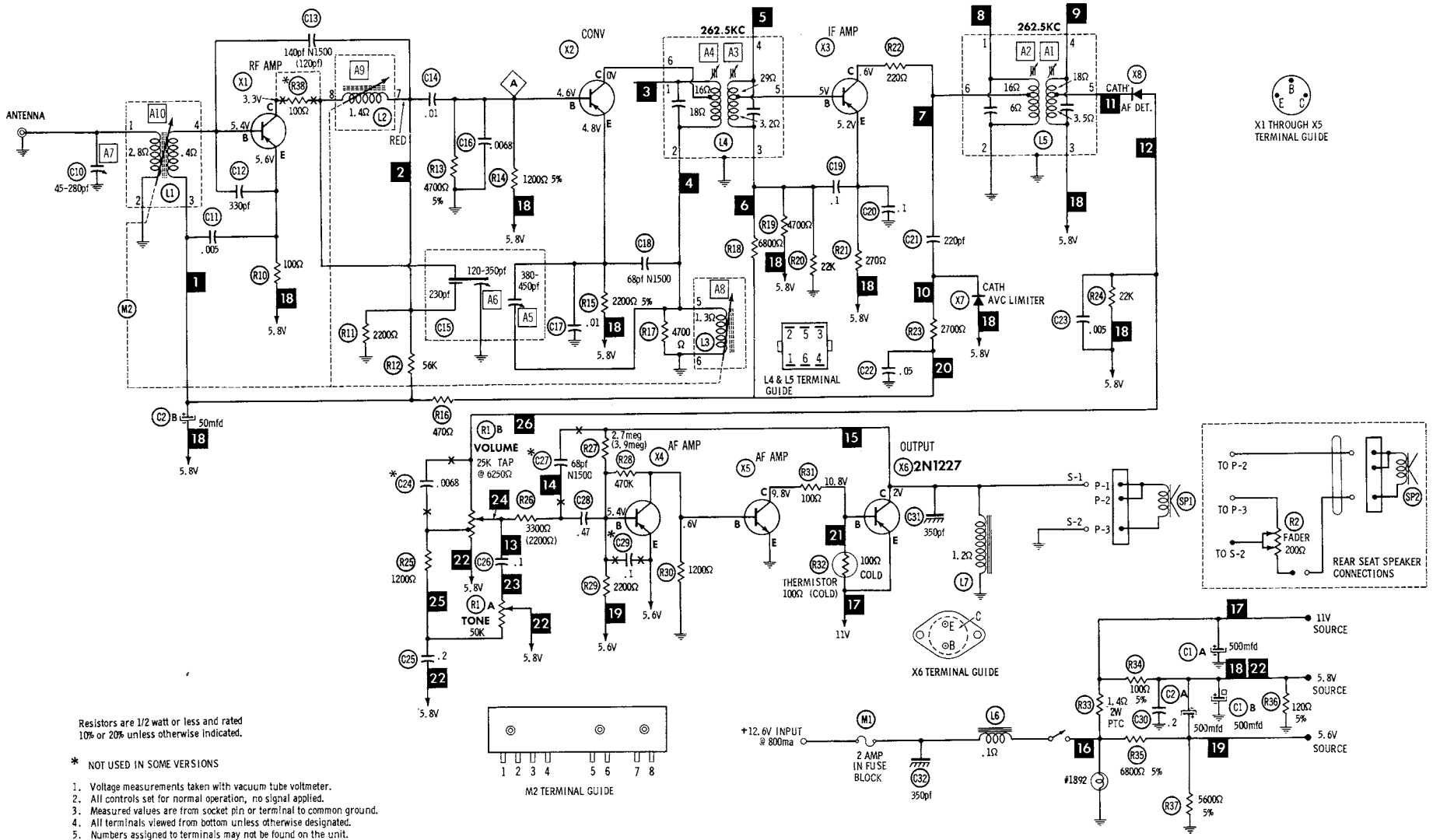
	SIGNAL GENERATOR COUPLING	SIGNAL GENERATOR FREQUENCY	RADIO DIAL SETTING	INDICATOR	ADJUST	REMARKS
1.	High side thru .1mf to point Δ , low side to ground.	262.5KC (400% Mod.)	High Freq. End Stop.	Output Meter across voice coil.	A1, A2, A3, A4	Adjust for maximum.
2.	Thru dummy (Fig. 1) to antenna receptacle.	1605KC	"	"	A5, A6, A7	"
Step 3 is not necessary unless tuner has been tampered with or associated components have been replaced. IF necessary, back tuning cores (A8, A9, A10) out of coils but not out of forms. Repeat step 2.						
3.	Thru dummy (Fig. 1) to antenna receptacle.	1000KC	Tune to Signal.	Output Meter across voice coil.	A8, A9, A10	Adjust for maximum. Repeat steps 2 & 3 until no further improvement is noted.
With radio installed in car and antenna fully extended, tune in a weak station near 1400KC and adjust A7 for maximum output.						

PUSH-BUTTON ADJUSTMENT

1. Pull button out.
2. Tune manually to desired station.
3. Press button in firmly.
4. Repeat for remaining buttons.







Resistors are 1/2 watt or less and rated 10% or 20% unless otherwise indicated.

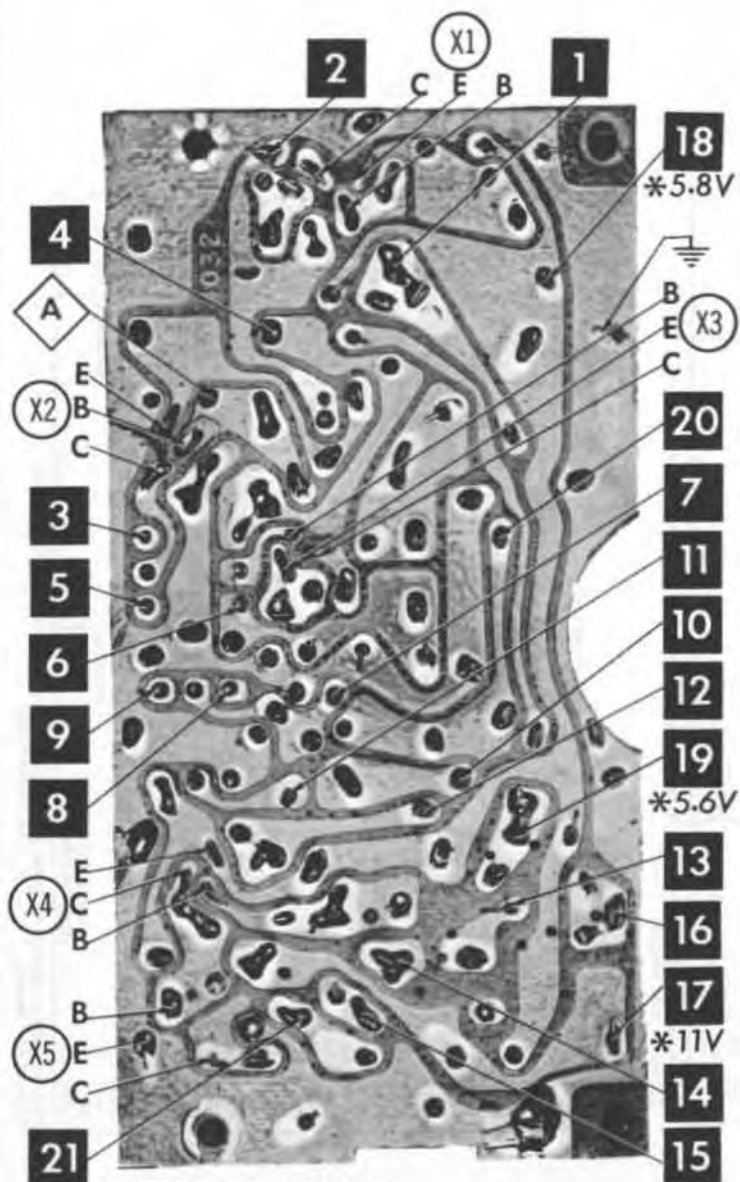
* NOT USED IN SOME VERSIONS

1. Voltage measurements taken with vacuum tube voltmeter.
2. All controls set for normal operation, no signal applied.
3. Measured values are from socket pin or terminal to common ground.
4. All terminals viewed from bottom unless otherwise designated.
5. Numbers assigned to terminals may not be found on the unit.
6. Supply voltage maintained at rated value for voltage readings.
7. Resistance measurements not given because of the wide variation in internal resistance of transistor.

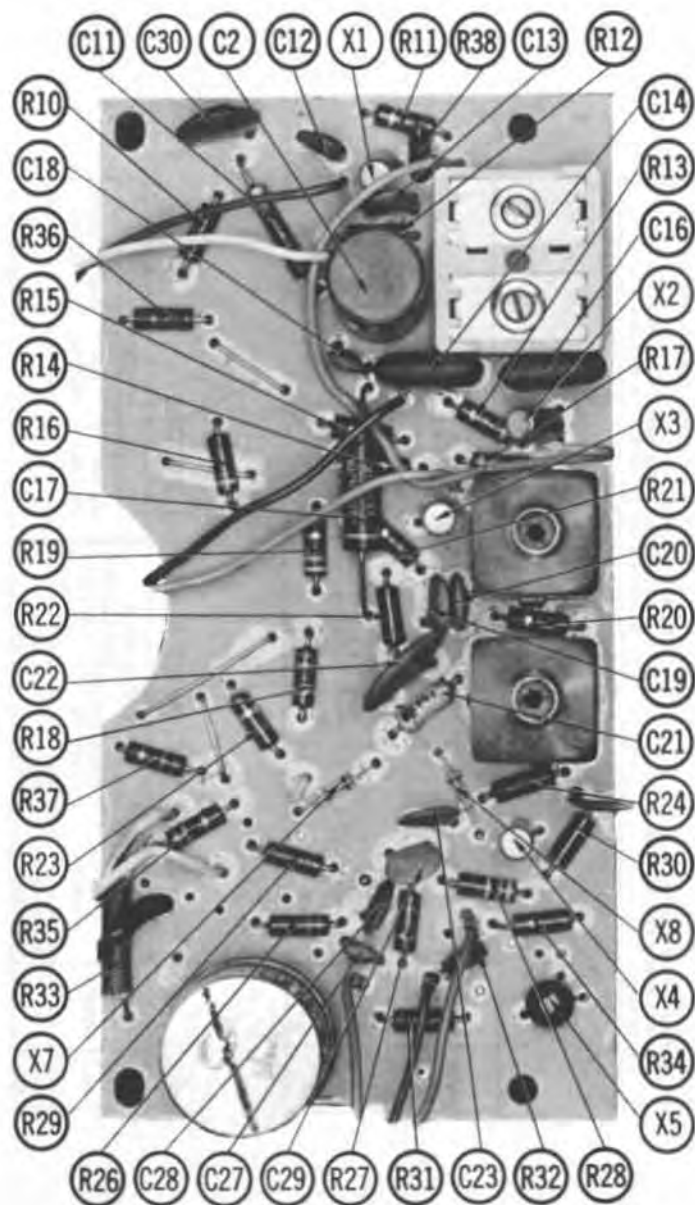
A PHOTOFACIT STANDARD NOTATION SCHEMATIC with **CIRCUITRACE**

© Howard W. Sams & Co., Inc. 1967

JEEP MODEL 5BW
VOLVO MODEL 5BN



*VOLTAGE SOURCE



VOLVO MODEL 58N

PARTS LIST AND DESCRIPTION

(When ordering parts, state Model, Part Number, and Description.)

Replacement parts shown may be superseded by the availability of newly introduced replacements.
Have your local distributor check Sams COUNTER FACTS* for the most up-to-date replacement.

WIRING DATA

General-use Unshielded Hook-up Wire	Use BELDEN No. 8530 (Solid) Available in 12 Colors 8524 (Stranded) Available in 12 Colors
Shielded Hook-up Wire	Use BELDEN No. 8885
Rear Seat Speaker Extension Cable	Use BELDEN No. 8782 (Stranded) Coded Parallel Leads
Bonding Strap	Use BELDEN No. 8661 (3/8 In.) or 8670 (3/4 In.)

TRANSISTORS

ITEM No.	ORIG. TYPE	USE	REPLACEMENT DATA				BENDIX PART No.	NOTES
			DELCO PART No.	GENERAL ELECTRIC PART No.	INTERNATIONAL RECTIFIER PART No.	RCA PART No.		
X1		RF Amp. Converter	DS-25	GE-1	TR-06	SK-3005	2091241-0015	PNP
X2			DS-25	GE-1	TR-06	SK-3005	2091241-0013	PNP
X3		IF Amp.	DS-25	GE-1	TR-06	SK-3005	2091241-0014	PNP
X4		1st AF Amp.	DS-26	GE-2	TR-05	SK-3004	2090924-0008	PNP
X5		2nd AF Amp.	DS-66	GE-10	TR-21	SK-3020	2092609-0706	NPN
X6	2N1227	Output	DS-520	GE-3	TR-01	SK-3009	2091859-0713	PNP *

POWER RECTIFIERS & SIGNAL DIODES

ITEM No.	MEASURED CURRENT	ORIGINAL Part or Type No.	RECTIFIERS & DIODES		RECTIFIERS		
			GENERAL ELECTRIC PART No.	INTERNATIONAL RECTIFIER PART No.	MALLORY PART No.	RCA PART No.	SARKES TARZIAN PART No.
X7		2092055-0001	1N34AS	1N34A			
X8		2092055-0001	1N34AS	1N34A			

ELECTROLYTIC CAPACITORS

ITEM No.	RATING		BENDIX PART No.	REPLACEMENT DATA				
	CAP.	VOLT.		AEROVOX PART No.	CORNELL-DUBILIER PART No.	GENERAL ELECTRIC PART No.	MALLORY PART No.	SPRAGUE PART No.
C1A	500	16	220353-30	PWH2-02-40			PFP200.65	PCLS-2177*
B	500	8						
C2A	500	3	2092246-0703	BCD3X50050			PET290	VLS-2116*
B	50	3						
	1000	1.5	2092246-0702 ①	BCD1.53X100050			PET295	
	50	3						

* Not normally in distributor's stock. Available thru distributor on order to manufacturer.
① Used in some versions.

CAPACITORS

ITEM No.	RATING	REMARKS	REPLACEMENT DATA					
			AEROVOX PART No.	CENTRALAB PART No.	CORNELL-DUBILIER PART No.	ELMENCO PART No.	MALLORY PART No.	SPRAGUE PART No.
C10	45-280	#2091221-0008	BPD-005	DD-502	BYX601ZU502P	CCD-502	B250	5HK-D50
C11	.005		DI-330	DD-331	JBZ601YP331K	CCD-331	JF333	10TS-T33
C12	330					*	*	*
C13	140	N1500 (120pf) †						
C14	.01	100V	DBE4S1	CPR-10000J	WMF1S1	1DP-1-103	PVC211	4PS-S10
C15A	120-350	#19092-23						
B	230							
C	380-450							
C16	.0068	100V	DBE6D68	CPR-6800J	WMF1D68	6DP-1-682	PVC4268	6PS-D68
C17	.01	100V	DBE4S1	CPR-10000J	WMF1S1	1DP-1-103	PVC211	4PS-S10
C18	68	N1500		TCL-68		*	*	*
C19	.1		TTD-1	CK-104	HOV101ZV104Z		TA010	TG-P10
C20	.1		TTD-1	CK-104	HOV101ZV104Z		TA010	TG-P10
C21	220		DI-220	DD-221	JB601YP221K	CCD-221	JF220	10TS-T22
C22	.05		TTD-05		HOV101ZV503Z		TA150	TH-S50
C23	.005		BPD-005	DD-502	BYX601ZU502P	CCD-502	B250	5HK-D50
C24	.0068		DI-6800	CPR-6800J	BYX601ZU682P	CCD-682	SX268	30GA-D68
C25	.2			UK20-204			MAG25022	HY-325
C26	.1		TTD-1	CK-104	HOV101ZV104Z		TA010	TG-P10
C27	68	N1500		TCL-68		*	*	*
C28	.47			UK10-404			MAG12047	HY-330
C29	.1		TTD-1	CK-104	HOV101ZV104Z		TA010	TG-P10
C30	.2			UK20-204			MAG25022	HY-325
C31	350	#2093050-0001						
C32	350	#2093050-0001						

* Not normally in distributor's stock. Available thru distributor on order to manufacturer.
Bendix Part Number. † Alternate Value.

PARTS LIST AND DESCRIPTION (CONTINUED)

(When ordering parts, state Model, Part Number, and Description.)

Replacement parts shown may be superseded by the availability of newly introduced replacements.
Have your local distributor check Sams COUNTER FACTS for the most up-to-date replacement.

CONTROLS

All wattages 1/2 watt, or less, unless otherwise listed.

ITEM No.	USE	RESIST-ANCE	REPLACEMENT DATA					
			BENDIX PART No.	CENTRALAB PART No.	CLAROSTAT PART No.	CTS-IRC PART No.	MALLORY PART No.	
R1A B	Tone Volume/Switch	50K 25K Tap @6250Ω	2091258-0004	F1-50K, R14-25K, FFS115, RFS207, AK38, KR4			† QJ-1752A	FA54L①, RU253T53, OS1687, IS2187, US41

① Use original mounting bracket.

† "CONCENTRIKIT" Equivalent: K8 Kit, with Base Elements and Shafts: B11-123, P17-123 (Panel)
B19-119X, R9-202 (Rear)
76-1 (Switch)
R5 (Tab Mount)

"SNAPTROL" Equivalent: BUT, CF12, CR50T, SF13, SR49, GC.

RESISTORS (Power and Special)

ITEM No.	RATING	REPLACEMENT DATA			ITEM No.	RATING	REPLACEMENT DATA		
		IRC PART No.	WORKMAN PART No.	REMARKS			IRC PART No.	WORKMAN PART No.	REMARKS
R32	100Ω (Cold)			# 220629-12	R33	1.4Ω 2W (PTC)			#2090948-003

Bendix Part Number.

COILS (RF-IF)

ITEM No.	USE	REPLACEMENT DATA				
		BENDIX PART No.	MEISSNER Part No.	MERIT PART No.	MILLER PART No.	WORKMAN PART No.
L1 L2 L3 L4 L5	Antenna RF Oscillator Input IF Output IF	① ① ① 2093001-0701 2093002-0701	16-6710 16-6711		6520 6521	TE634 TE634

① Part of M1

FILTER CHOKE

ITEM No.	RATINGS		REPLACEMENT DATA					NOTES
	CURRENT (Measured)	DC RES.	INDUCTANCE (0 CURRENT 1000~)	BENDIX PART No.	MERIT PART No.	STANCOR PART No.	THORDARSON PART No.	
L6	800ma	.1Ω	240uh	2092050-0014				

CHOKE (AUDIO OUTPUT)

ITEM No.	INDUCTANCE	REPLACEMENT DATA					NOTES
		BENDIX PART No.	MERIT PART No.	STANCOR PART No.	THORDARSON PART No.	TRIAD PART No.	
L7	50MH	2092245-0005					

SPEAKER

ITEM No.	TYPE	REPLACEMENT DATA			NOTES	
		BENDIX PART No.	JENSEN PART No.	QUAM PART No.		
SP1	5" PM	20Ω	2094132-0701		5A1Z20	Used in Volvo P1100
	5" PM	20Ω	2092480-0703		5A1Z20	Used in Volvo P1200, P1300, P2200
	5" X 7" PM	20Ω	2093212-0701	P5X7T20	57A1Z20	Used in Volvo P1800

FUSE DEVICES

ITEM No.	TYPE	RATING	REPLACEMENT DATA						
			PART No.		LITTELFUSE PART No.		BUSS PART No.		
			FUSE	HOLDER	FUSE	HOLDER	FUSE	HOLDER	
F1	AGA	2 Amp.	2091811-0007	In Fuse Block	301002			AGA 2	

MISCELLANEOUS

ITEM No.	PART NAME	BENDIX PART No.	NOTES
M1	Tuner Coil Assembly	2094066-0502 2090131-0063	

CABINETS & CABINET PARTS

(When Ordering Specify Model, Chassis & Color)

ITEM	PART No.	ITEM	PART No.
Escutcheon	2092149-0504	Knob, Tone or Dummy	2092235-0001
Dial Glass	2092474-0003	Push Button	2092224-0002
Knob, Tuning or Volume	2091244-0002	Dial Pointer	2090129-0033

VOLVO MODEL SBN