



**VOLVO**

**service-**  
*ritningar·drawings*

Avd. 4 (46)  
Section

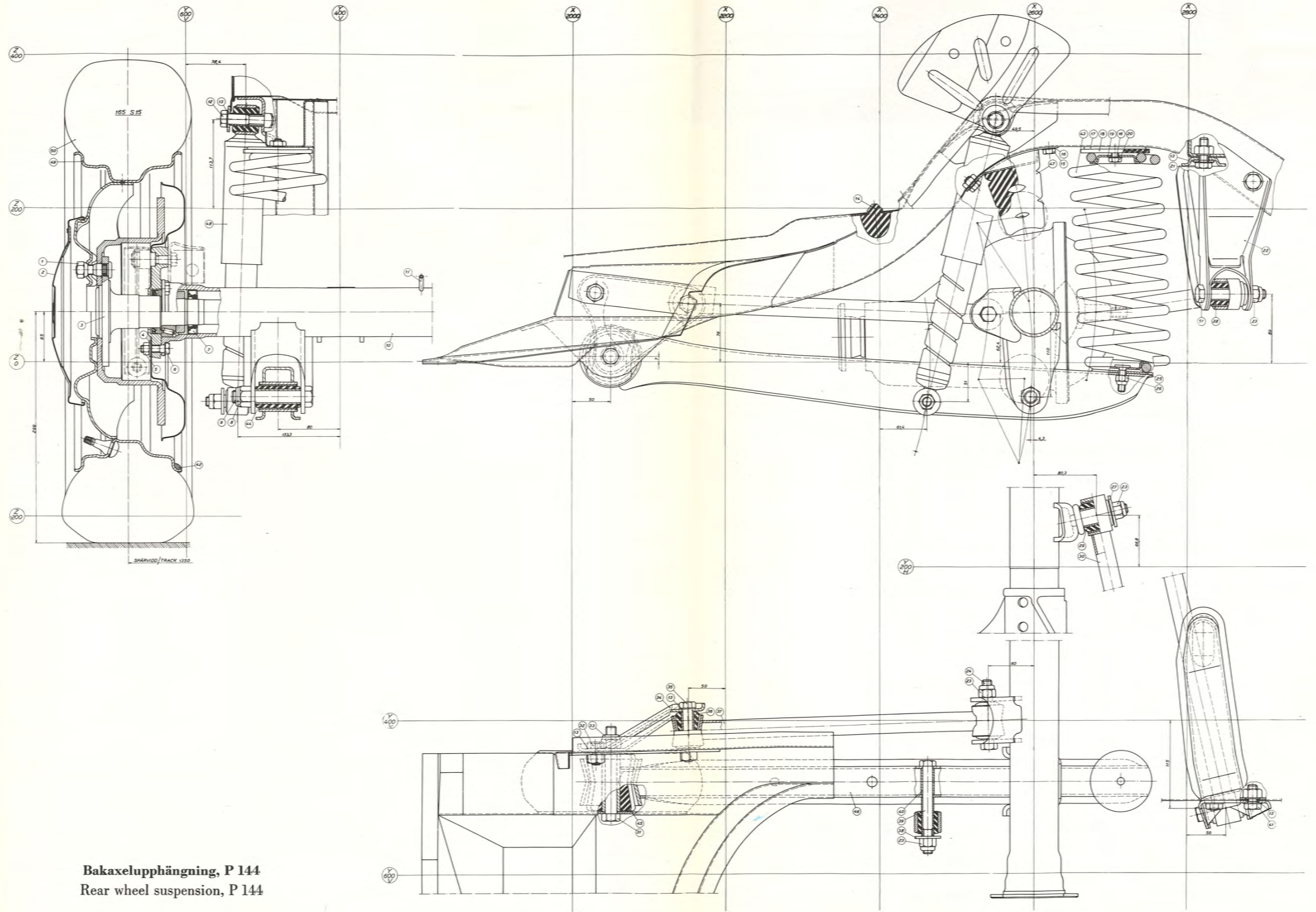
Typ P 144  
Type

**Bakaxelupphängning**  
Rear wheel suspension

3.67.

**Bakaxelupphängning P 144**

Rear wheel suspension P 144



Bakaxelupphängning, P 144  
Rear wheel suspension, P 144