

VOLVO

PRODUKT	AVG	GRUPP	NR.	DATUM
PRODUCT	SECTION	GROUP	NO.	DATE
ERZEUGNIS	ABT.	GRUPPE	NR.	DATUM
PRODUIT	SECTION	GROUPE	NO.	DATE
P	3	39	USA	10/88

Installation Instructions

REAR LOUDSPEAKER AMPLIFIER

FOR RADIO MODELS: CR-712, CR-4123, CR-3183

VOLVO 240

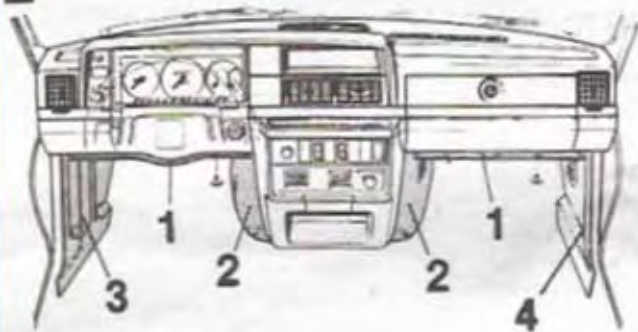


1



- Disconnect the negative terminal from the battery.

2



- Remove the insulating panels (1).
- Remove the side panels (2).
- Remove the side pillar panel (3).

WAGONS ONLY

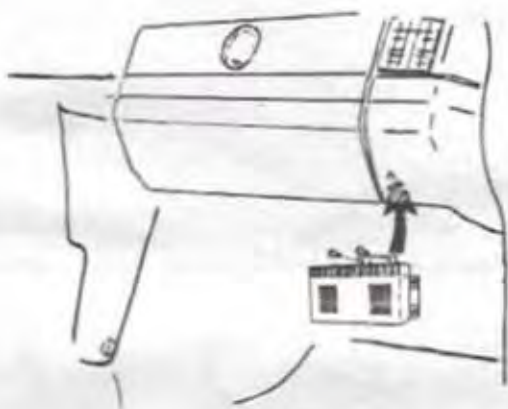
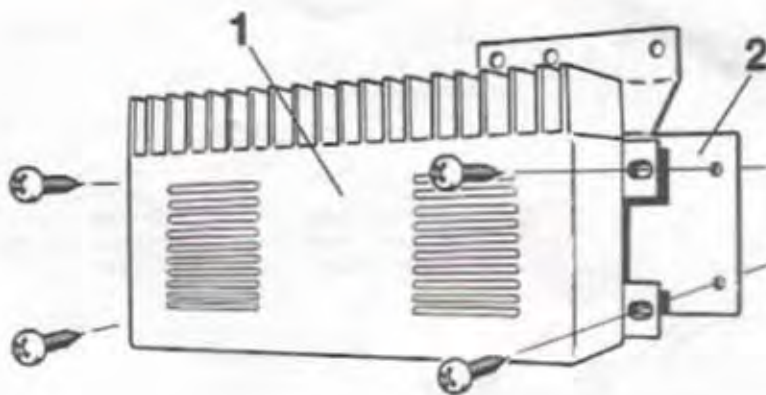
- Remove the side pillar panel (4)

3



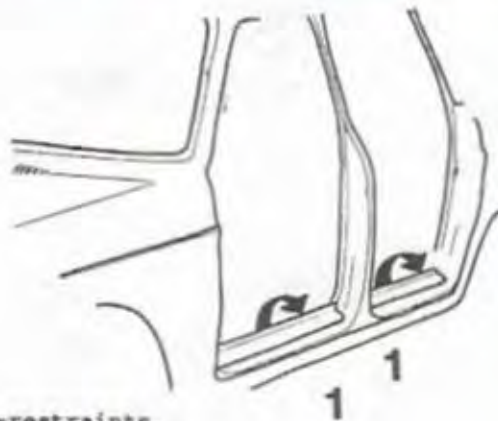
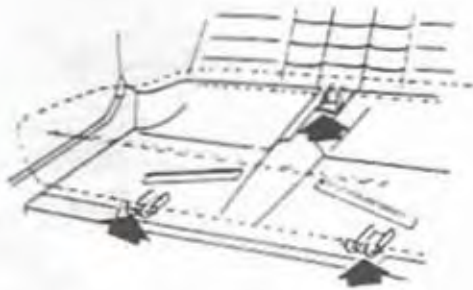
- Remove the glove compartment.

4



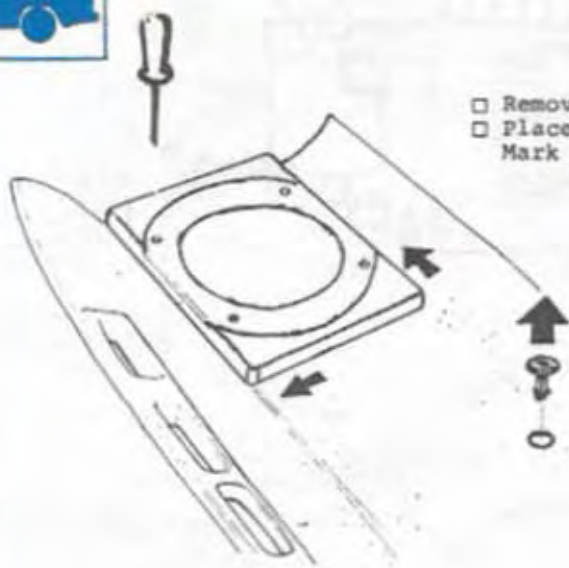
- Fit the amplifier (1) to the bracket (2).
- Position the amplifier on the fire wall to the left of the ignition system control unit. The amplifier will fit between the control unit and the air conditioner hoses.
- Mark and drill holes (4mm, 5/32").
- Mount the amplifier using the sheet metal screws provided.

5



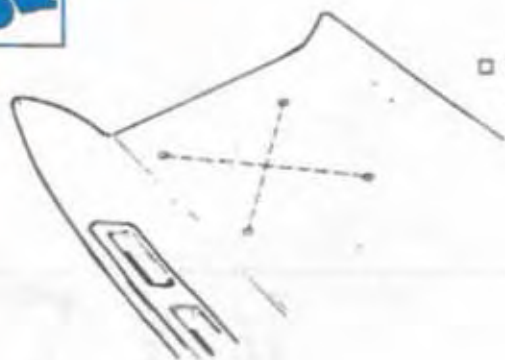
- Remove possible rear head-restraints.
- Remove rear seat cushion and seat back.
- Remove trip mouldings (1).

6



- Remove the hat shelf from the car.
- Place the loudspeaker grilles as per illustration. Mark the position of the four holes.

7



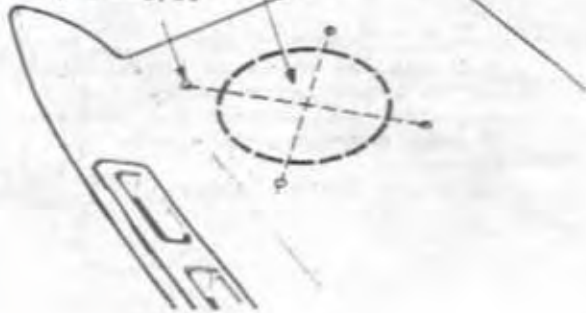
- Draw two crossing lines between the holes as per illustration.

8



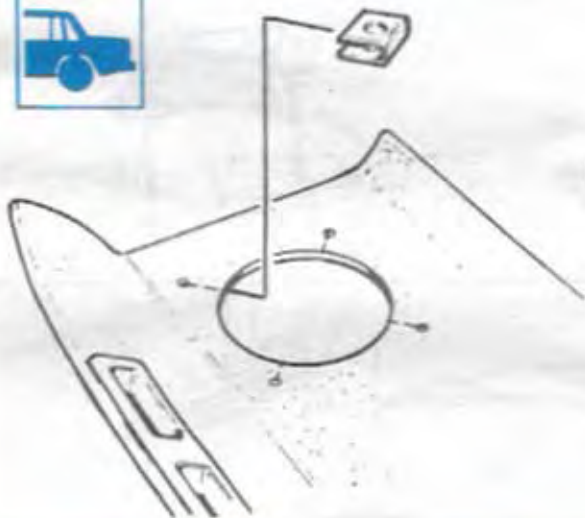
Ø 120 4 3/4"

Ø 5 = 3/16"



- Drill four holes, Ø 5 mm = 3/16" in the hat shelf.
- Mark out and make a hole, Ø 120 mm = 4 3/4" for the loudspeaker.

9



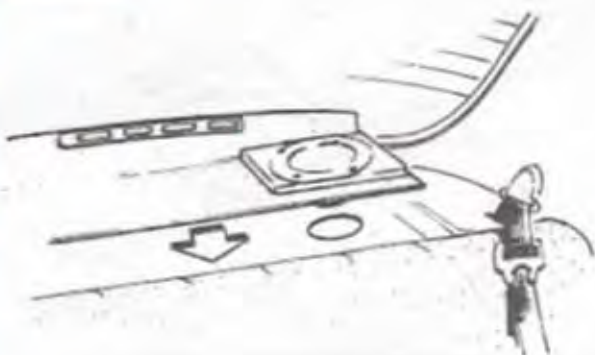
- Press four speed nuts over the holes.

10



- Install the loudspeaker and the grille.
- Install the other loudspeaker in the same manner.

11



- Hold the hat shelf in position.
- Cut away the paper between passenger compartment and boot, to make space for the loudspeaker.
- Reinstall the hat shelf.

- Trim the back of outer headrest post foot (1) to be flush with post, repeat for left side.
- Reinstall head restraint, being certain it is locked into position.

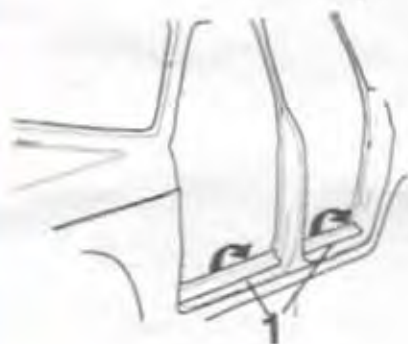
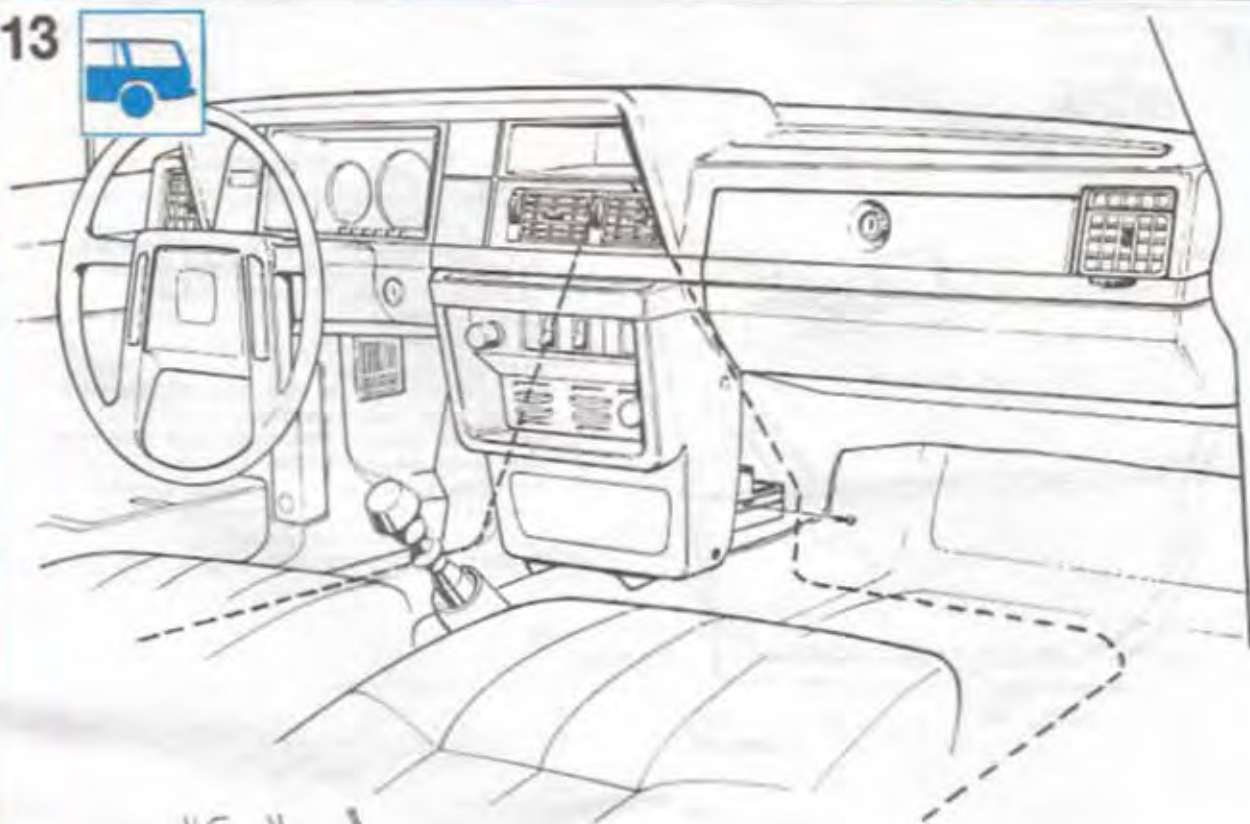


12



- Connect loudspeaker cable, Part No. 1129468-3.
- Attach the cables from the loudspeakers to the shelf with clips.
- Fold away panels, mats, etc. and route the loudspeaker cable to the radio compartment.

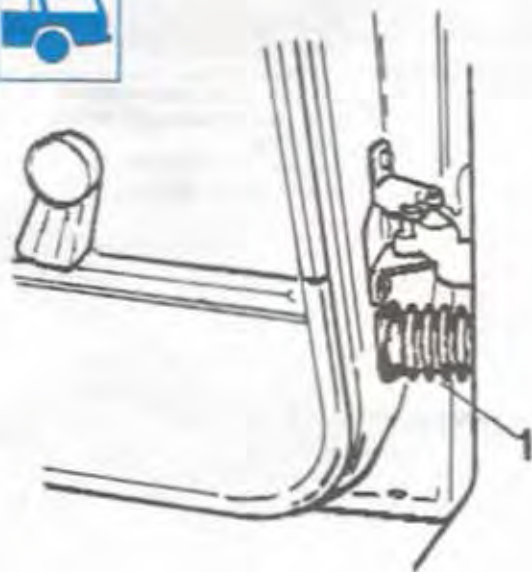
13



- Remove left and right door sill moldings (1).
- Fold away B-pillar molding on left and right sides.
- Route the speaker leads to the B-pillars on both the left and right sides of car.

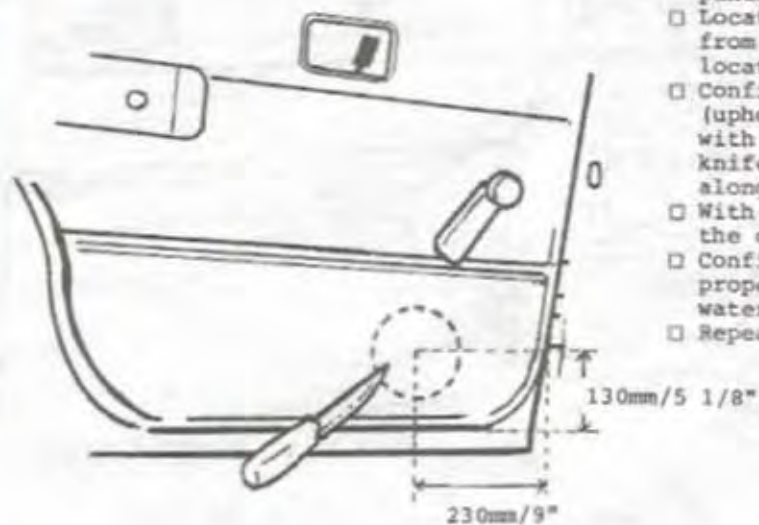
NOTE: Be certain to route the lead marked "RR" to the right B-pillar (passenger side), and the lead marked "RL" to the left B-pillar (driver's side).

14



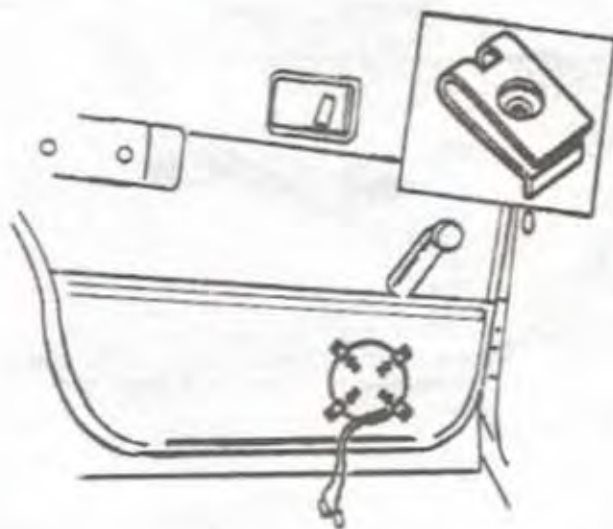
- Loosen the plastic cover (1), and route the speaker lead into the door cavity.

15



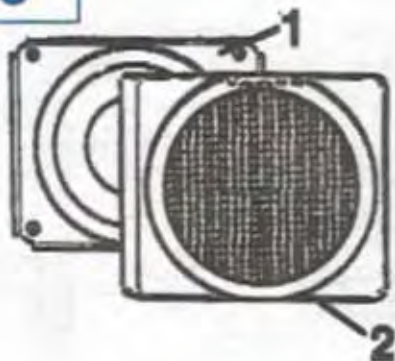
- For best results, remove rear door panel.
- Locate the door panel perforation from the rear side (approximate location shown on drawing).
- Confirm location from the front side (upholstered side) pressing firmly with finger tips. Using a sharp knife, carefully cut the cloth/vinyl along the perforation.
- With the cloth removed, cut through the door panel along the perforation.
- Confirm rain guard is positioned properly to protect speaker from water. Reinstall panel.
- Repeat procedure for right rear door.

16



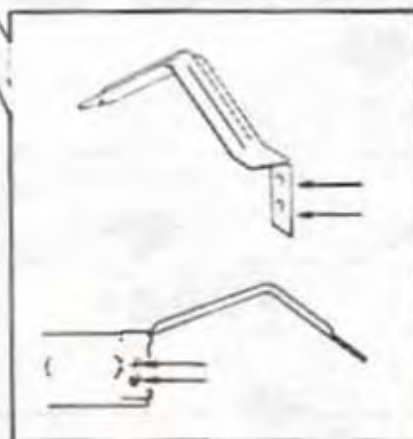
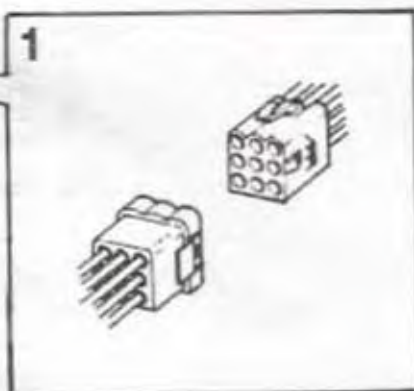
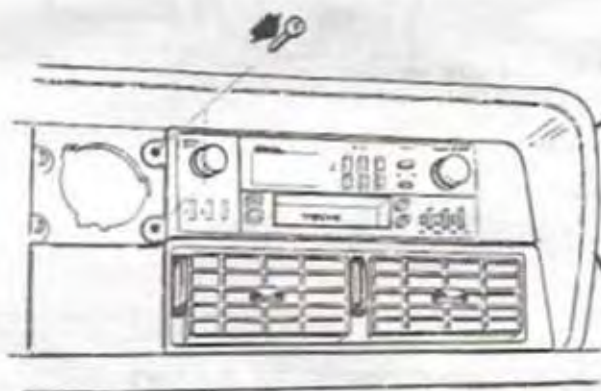
- Push spring nuts on to edge of door panel as shown.
- Locate speaker cables and pull through door opening.
- Repeat procedure for right rear door.

17



- Connect speaker lead to speaker and mount speaker (1) with screws provided.
- Snap grille (2) onto speaker frame.
- Repeat procedure for right rear door.

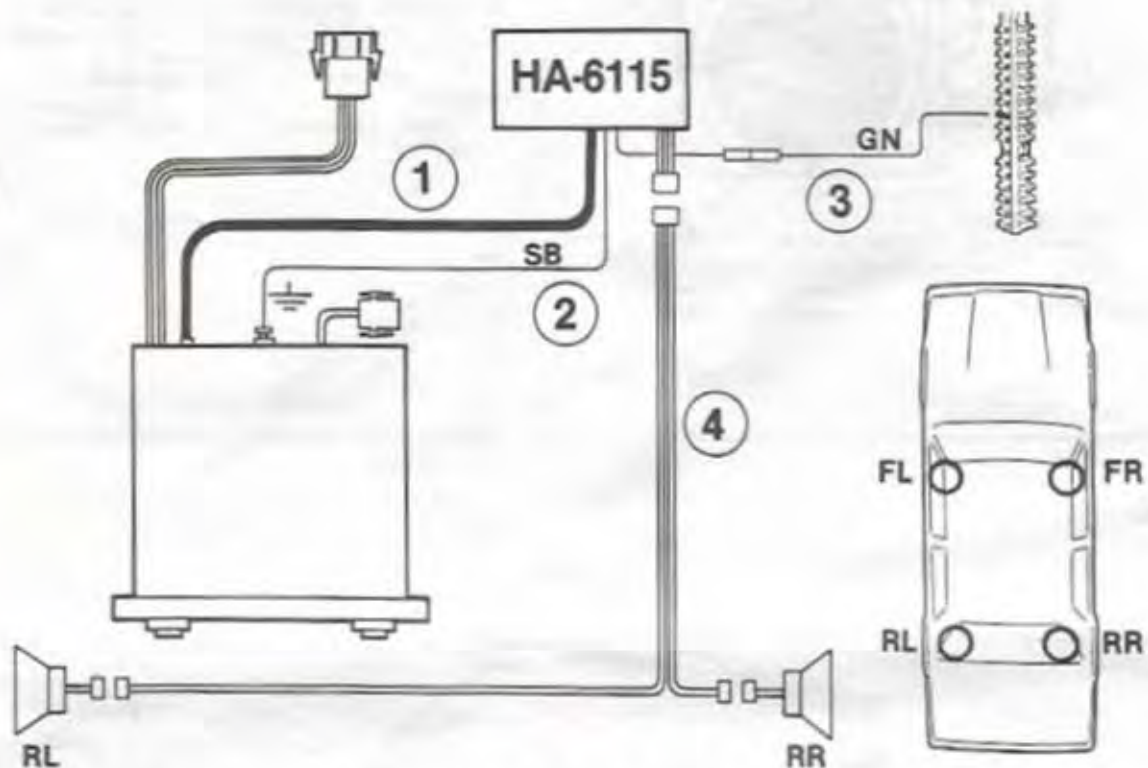
18



- Remove the screws and pull out radio.
- Separate the connectors (1).
- Route cables from amplifier to radio box.

19

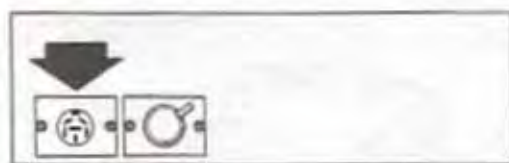
WIRING DIAGRAM HA-6115



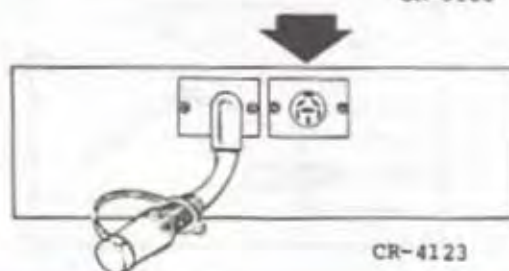
1. Is connected to the DIN socket on the radio.
2. Black (SB) cable from the amplifier is connected to radio chassis screw.
3. Green (GN) cable is connected to fuse No. 8.
4. Joining cable for rear loudspeakers, p/n 1129468 (not included).

20

CONNECTION ON BACKSIDE OF RADIO



CR-3183



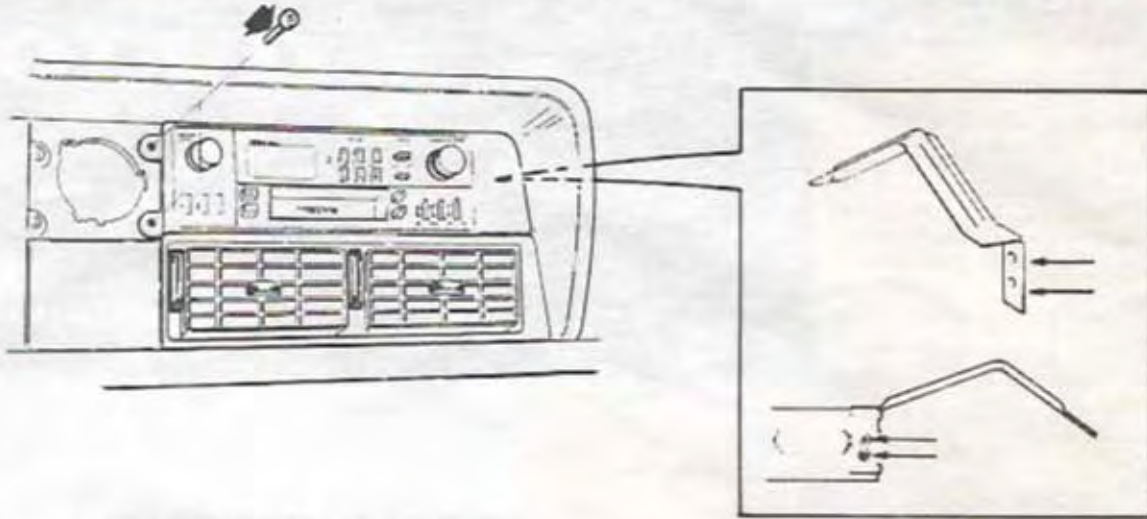
CR-4123

□ The arrow indicates the location for the amplifier DIN plug on each of three radio chassis.



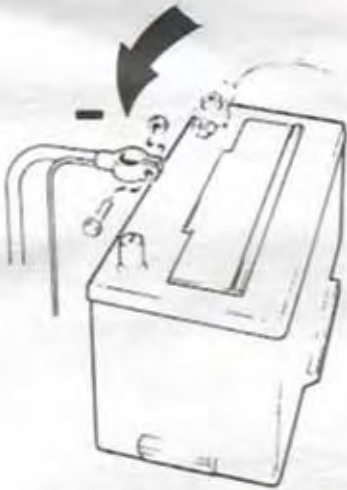
CR-712

21



Reinstall the radio.

22



Reconnect the battery terminal.

23

Check the function.
 Reinstall disassembled parts.