

VOLVO POLICE CARS



 **VOLVO**
SPECIAL VEHICLES

VOLVO POLICE CARS

Volvo began building cars in 1927, and from the very early days established a strong working relationship with the Police Force.

Sixty years later this relationship has developed to the extent that the Swedish Police now have a special representative attached to Volvo. His invaluable function is to liaise between end user and manufacturer, and to participate in product development, research and testing.

This tradition of close cooperation with the Police has given Volvo unique experience in constructing cars that more than meet the exacting demands the Police and Emergency Services place on handling characteristics, reliability, operating economy and performance.





VOLVO POLICE CARS



Specialist Lighting by courtesy of Hella, Banbury, Oxon and
Woodway Engineering Ltd., Shilton, Warwickshire.
Police Livery by courtesy of Stewart Signs Ltd., Chandler's Ford, Hampshire.
Please note incident depicted was simulated under Fire Brigade supervision.

 **VOLVO**
SPECIAL VEHICLES

Technical Specification



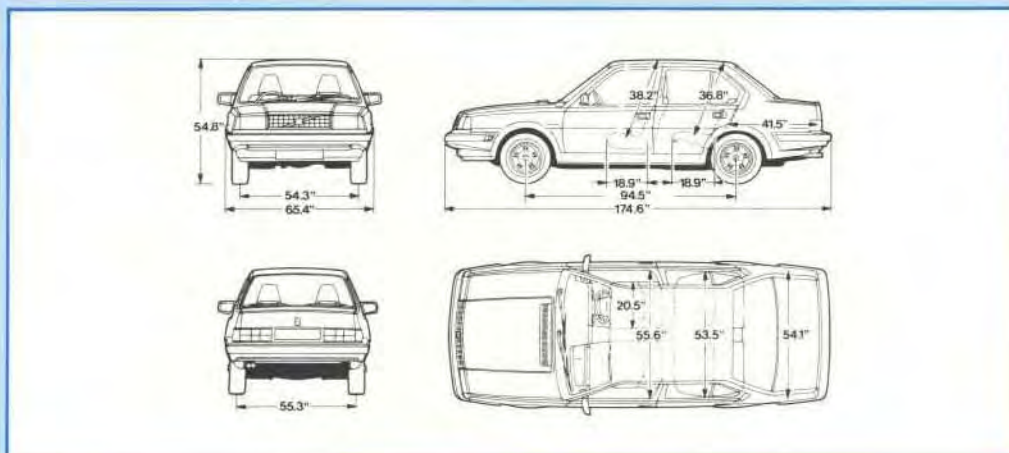
POLICE SPECIFICATION 364 GLE i

TECHNICAL SPECIFICATION

Body Variant	Four Door Saloon
Engine Designation	B200 E
Number of Cylinders	4
Engine Capacity	1986 cc
Max Output ECE hp/rpm	113/5700
Max Torque ECE Nm/rpm	159/4200
Compression Ratio	9:2:1
Fuel System	Injection
Fuel Octane Rating	96-98
Five Speed Manual Transmission	M 47 R
Battery Capacity	12v/55Ah
Alternator Rating	770W/55A
Rack & Pinion Steering	
Turning Circle Diameter	30'8" / 9.35m
Fuel Tank Capacity	12.5 Gal/57 Ltr
Kerb Weight	1097 (kg)
Michelin Tyres	(175/70 R 13 T)

EQUIPMENT

Tinted Glass
Fog Lights Front & Rear
Halogen Headlights
Two Internally Adjustable Door Mirrors
Heated Rear Window
Headlamp Wipers & Washers
Lumbar Support
Inertia Real Seatbelts Front & Rear
Centre Lap Belt
Dual Circuit Brakes
Intermittent Wiper/Automatic Wipe/Wash
Rev Counter & Quartz Clock
Open Front Head Restraints
Exterior Colour White
Blue Trico Plush/Vinyl Seats
Steel Road Wheels



In the interests of continuing product development, the factory reserve the right to make changes at any time, without notice, to prices, colours, material, equipment or specifications and also to discontinue models.

Technical Specification



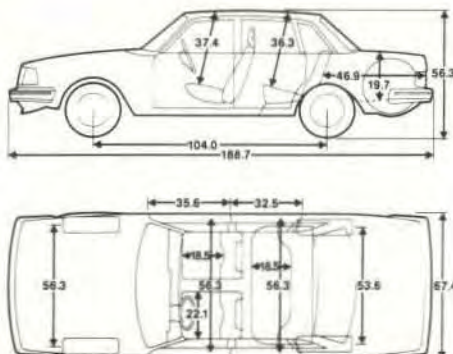
POLICE SPECIFICATION 244 GLT

TECHNICAL SPECIFICATION

Body Variant	Four Door Saloon
Engine Designation	B230 E
Number of Cylinders	4
Engine Capacity	2316 cc
Max Output ECE hp/rpm	133/5400
Max Torque ECE kpm/rpm	19·4/3300
Compression Ratio	10·3:1
Fuel System	Injection
Fuel Octane Rating	95-98
Five Speed Manual Transmission	M 47 R
Battery Capacity	12v/70Ah
Alternator Rating	70A
Rack & Pinion Steering	Power Assisted
Turning Circle Diameter	32'2"/9·8m
Fuel Tank Capacity	60 Litres
Gross Weight	1780 (kg)
Michelin Tyres	185/70 R14 MXV
Steel Road Wheels	5·5" x 14

EQUIPMENT

Tinted Glass
Rear Fog Lights
Halogen Headlights
Two Internally Adjustable Door Mirrors
Heated Rear Window
Headlamp Wipers & Washers
Lumbar Support & Seat Height Adjustments
Inertia Real Seatbelts Front & Rear
Centre Lap Belt
2 Speed Plus Intermittent Wiper
Electric Washers
Rev Counter & Quartz Clock
Power Assisted Disc Brakes All Round
Dual Circuit Brakes
High Mounted Rear Brake Lights
Brake Failure/Bulb Failure Warning Lights
Open Front Head Restraints
Exterior Colour White
Blue Plush/Vinyl Seats



In the interests of continuing product development, the factory reserve the right to make changes at any time, without notice, to prices, colours, material, equipment or specifications and also to discontinue models.

Technical Specification



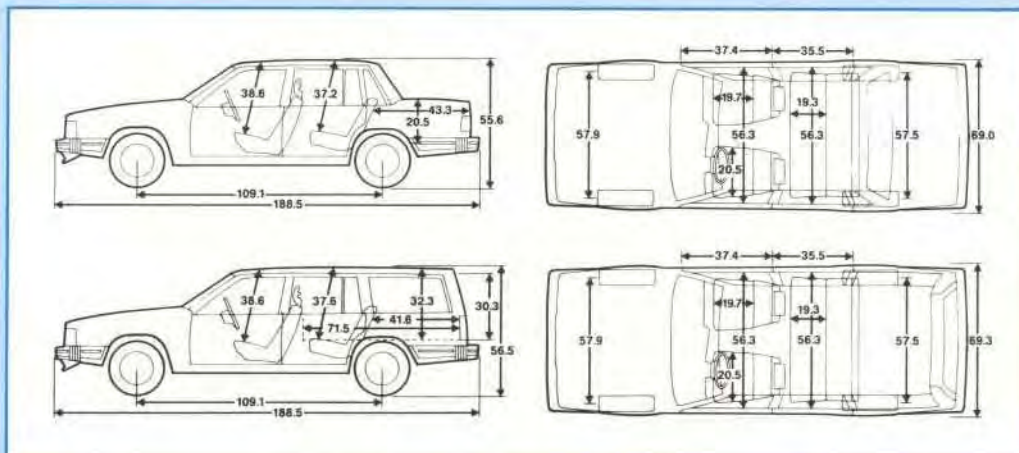
POLICE SPECIFICATION 740 TURBO

TECHNICAL SPECIFICATION

Body Variants	4 Door Saloon/ 5 Door Estate
Engine Designation	B230 ET
Number of Cylinders	4
Engine Capacity	2316 cc
Max Output ECE hp/rpm	182/5800
Max Torque ECE kpm/rpm	26.5/3400
Compression Ratio	9-0:1
Fuel System	Electronic Injection
Fuel Octane Rating	98
Four Speed Manual Transmission	Plus Overdrive
Battery Capacity	12v/85Ah
Alternator Rating	90A
Rack & Pinion Steering	Power Assisted
Turning Circle Diameter	32'6"/9.9m
Fuel Tank Capacity	60 Litres
Heavy Duty Rear Springs	
Nivomat Self Levelling Rear Suspension	
Michelin Tyres	195/60 — 15
Steel Road Wheels	5.5" x 15

EQUIPMENT

Tinted Glass
Rear Fog Lamps
Halogen Headlights
Front Fog Lights In Spoiler
Two Internally Adjustable Door Mirrors
Heated Rear Window
Headlamp Wipers & Washers
Lumbar Support & Seat Height Adjustment
Inertia Real Seat Belts Front & Rear
Centre Lap Belt
2 Speed Plus Intermittent Wipers
Electric Washers
Rev Counter & Quartz Clock
Power Assisted Disc Brakes All Round
Dual Circuit Brakes
High Mounted Rear Brake Lights
Brake Failure/Bulb Failure Warning Lights
Open Front Head Restraints
Exterior Colour White
Blue Velour/Vinyl Seats



In the interests of continuing product development, the factory reserve the right to make changes at any time, without notice, to prices, colours, material, equipment or specifications and also to discontinue models.